

lightworks.

NEWTON SINGLE PENDANT



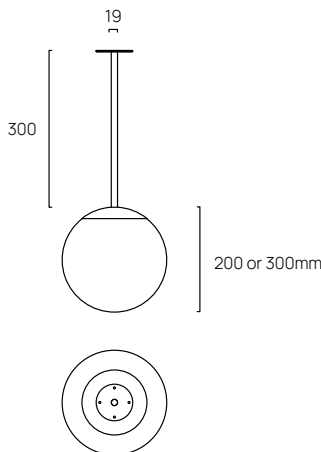
NEWTON SINGLE PENDANT

A single opal acrylic ball fixed with a brass cap. 19mm brass tube gives a more solid dimension for larger commercial applications. Various tube and acrylic ball configurations are available. Designed and manufactured in Australia.

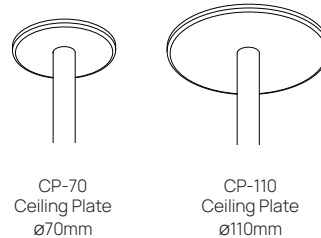
TECHNICAL DETAILS

APPLICATION	Commercial Interiors
TRIM COLOURS	Brass, Custom Colours
MATERIALS	Opal Acrylic, Brass
INPUT POWER	240V
LUMEN OUTPUT	400 Lumens
WATTAGE	6W
CRI	90
LUMEN MAINTENANCE	L70
DIMMING	Leading/Trailing Edge Dali
MOUNTING OPTIONS	CP-70 Screw Plate with Cap CP-110 - Screw Plate with Cap
WEIGHT	1kg

DIMENSIONS



MOUNTING OPTIONS



ORDERING OPTIONS

Fitting	Sphere Size	Wattage	Colour	CCT	Dimming	Mounting	Drop Length
NSP	200mm (S2) 300mm (S3)	6 Watts (6W)	Brass (B) Custom (C)	2700K (27K) 3000K (3K) 4000K (4K)	Dali Dimming (DD) Leading/Trailing (TR)	Ceiling Plate (CP-70) Ceiling Plate (CP-110)	300mm (300mm) Custom (___) (Specify drop length in mm)

ORDER CODE

NSP		6W					
-----	--	----	--	--	--	--	--