

lightworks.

MOBY SWEEP



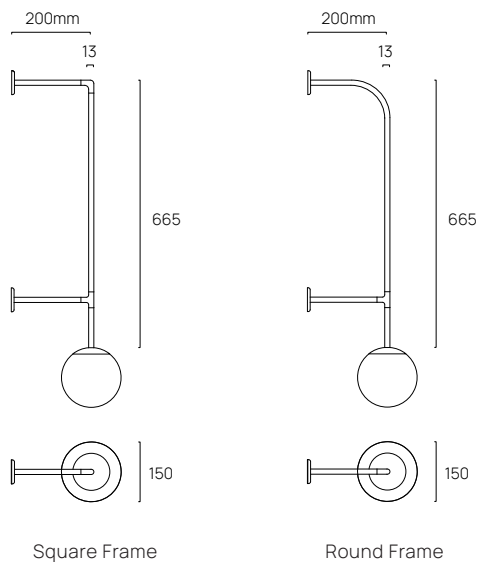
MOBY SWEEP

A single opal acrylic ball fixed with a brass cap. The 13mm tube size provides a delicate proportion for minimal interiors. The Moby Sweep is wall mounted with an interesting brass tube configuration, with multiple rod and acrylic ball configurations available. Designed and manufactured in Australia.

TECHNICAL DETAILS

APPLICATION	Commercial Interiors
TRIM COLOURS	Brass, Custom Colours
MATERIALS	Opal Acrylic, Brass
INPUT POWER	240V
LUMEN OUTPUT	400 Lumens
WATTAGE	6W
CRI	90
LUMEN MAINTENANCE	L70
DIMMING	Leading/Trailing Edge Dali
MOUNTING	CP-70 - Screw Plate with Cap
WEIGHT	1kg

DIMENSIONS



ORDERING OPTIONS

Fitting	Frame Shape	Wattage	Colour	CCT	Dimming
MS	Square (SQ) Round (RD)	6 Watts (6W)	Brass (B) Custom (C)	2700K (27K) 3000K (3K)	Dali Dimming (DD) Leading/Trailing (TR)

ORDER CODE

MS		6W			
----	--	----	--	--	--