

lightworks.

MARTIN WALL DUO



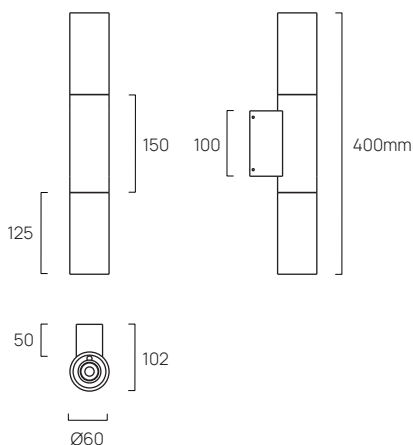
MARTIN WALL DUO

A simple wall mounted fixture providing diffused and directional illumination. Can be used in conjunction with the Martin family of decorative lighting for a co-ordinated design approach. Easily customised in length, output and finishes. Made in Australia.

TECHNICAL DETAILS

APPLICATION	Retail and Hospitality
BODY COLOUR	White, Black, Brass, Brass Finish Powdercoat or Custom Powdercoat
MATERIALS	Body - 6061 machined aluminium - chromate dipped and polyester powder coated Lens - Opal Acrylic
INPUT POWER	240V remote driver
BEAM	Spot 10° / Narrow Beam 24° / Medium Beam 35° / Wide Beam 55°
WATTAGE	15W (7.5W Uplight and 7.5W Downlight)
LUMENS	1000lm
CCT	2700K, 3000K, 4000K
CRI	90
LUMEN MAINTENANCE	L70
DIMMING	1-10V DC, Leading/Trailing, Dali Dimming, Bluetooth Control
WARRANTY	5 Years

DIMENSIONS



TRIM COLOUR



White

Black

Brass Finish

ORDERING OPTIONS

Fitting	Wattage	Body Colour	Beam Angle	CCT	Dimming
MW	15 Watts (15W)	Black (2) White (3) Brass (4) Custom (5)	Spot 10° (SP) Narrow Beam 24° (NB) Medium Beam 35° (MB) Wide Beam 55° (WB)	3000K (3K) 4000K (4K) 5000K (5K)	Leading/Trailing (TR) Dali Dimming (DD) 1-10V DC (DC) Bluetooth (BT)

ORDER CODE

MW	15W				
----	-----	--	--	--	--