

lightworks.

# MARTIN PENDANT



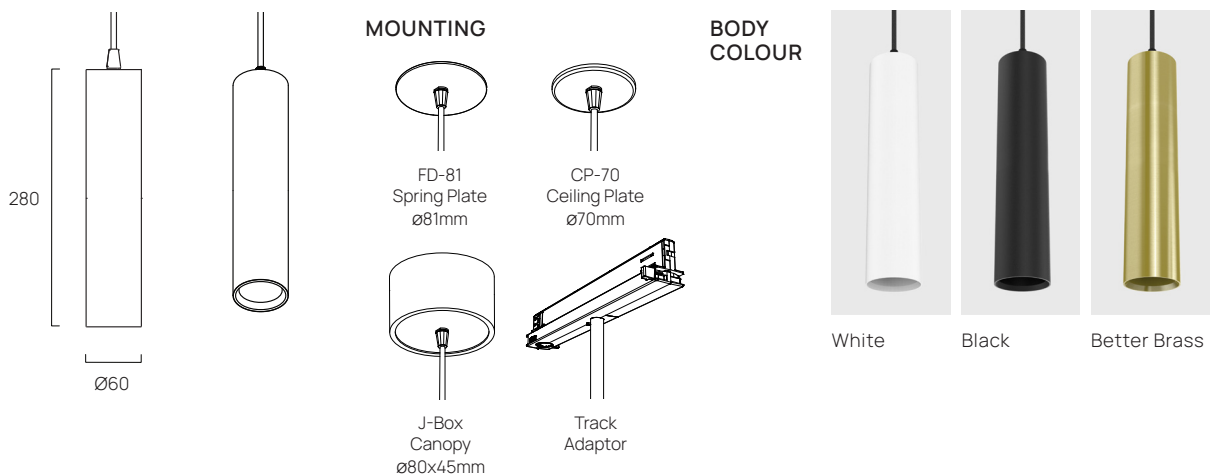
# MARTIN PENDANT

Decorative tubular pendant with downlighting component.  
Easily customised in length, output and finishes. Made in Australia.

## TECHNICAL DETAILS

APPLICATION	Retail and Hospitality
BODY COLOUR	White, Black, Brass, Brass Finish Powdercoat or Custom Powdercoat
CABLE COLOUR	White Textile, Black Textile, Custom on request
MATERIALS	Body - 6061 machined aluminium - chromate dipped and polyester powder coated
INPUT POWER	240V remote driver
BEAM	Spot 10° / Narrow Beam 24° / Medium Beam 35° / Wide Beam 55°
WATTAGE	15W LED
LUMENS	1000lm
CCT	2700K, 3000K, 4000K
CRI	90
LUMEN MAINTENANCE	L70
DIMMING	1-10V DC, Leading/Trailing, Dali Dimming, Bluetooth Control
SUSPENSION	2m Cable - White or Black Textile
WARRANTY	5 Years

## DIMENSIONS



## ORDERING OPTIONS

Fitting	Wattage	Body Colour	Cable Colour	Beam Angle	CCT	Dimming	Mounting
MP	15 Watts (15W)	Black (2) White (3) Brass (4) Custom (5)	Black Textile (C2) White Textile (C3)	Spot 10° (SP) Narrow Beam 24° (NB) Medium Beam 35° (MB) Wide Beam 55° (WB)	3000K (3K) 4000K (4K) 5000K (5K)	Leading/Trailing (TR) Dali Dimming (DD) 1-10V DC (DC) Bluetooth (BT)	Ceiling Plate (CP-70) FD-81 (FD-81) J-Box Canopy (JB) Track (TK)

## ORDER CODE

MP	15W						
----	-----	--	--	--	--	--	--